



File was found and ready to download!

UPDATED 14 HOUES AGO

Fastest Source: [usenet.nl](https://www.usenet.nl)

Click the **download button** and select one of the found **cloud sources**.

6.4



2865 VIEWS

Download 

 SECURE SCANNED

You need to [log in](#) before you can post comments.



Navigation

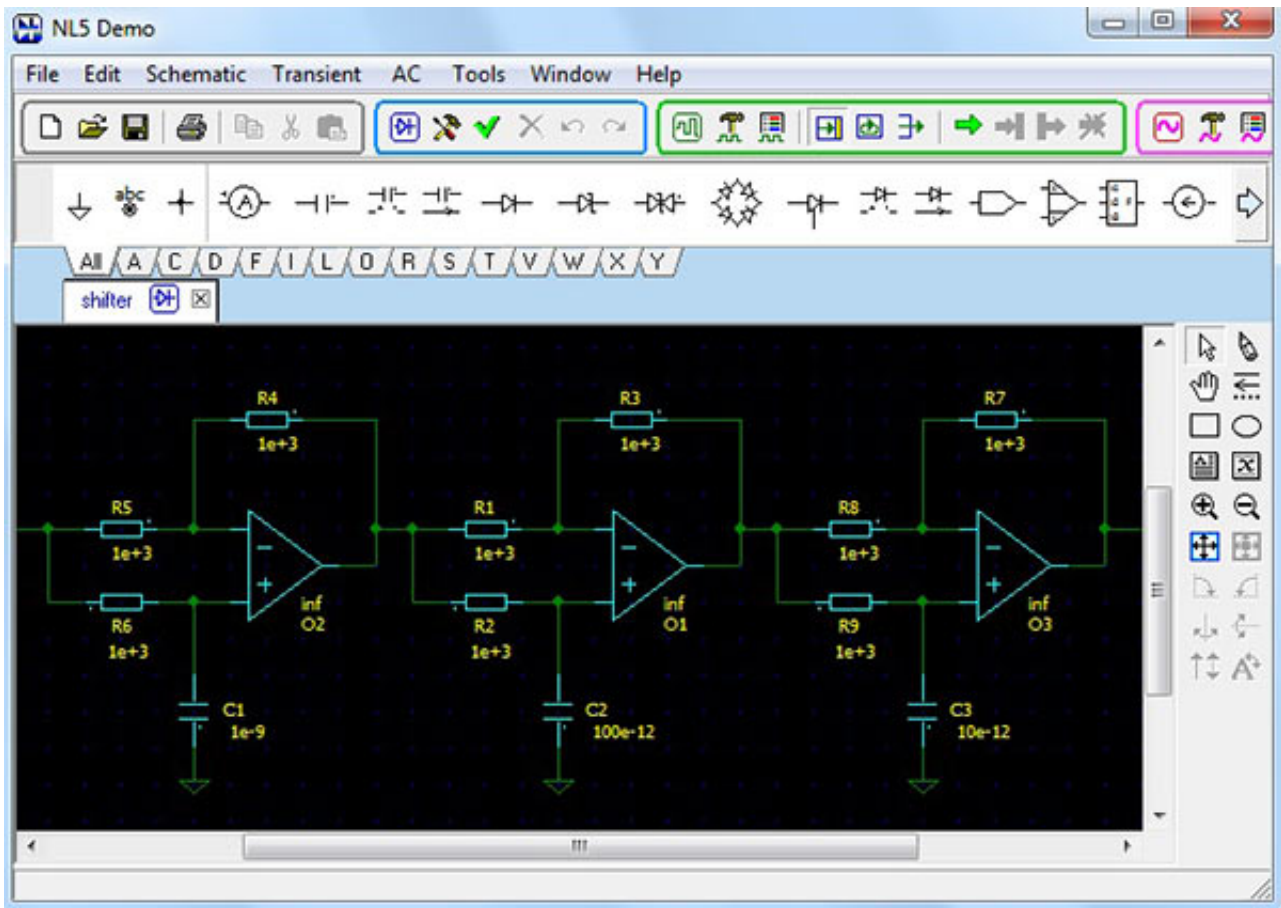


Registration



FAQ

[Download Circuit Simulator V1.5n](#)



[Download Circuit Simulator V1.5n](#)



File was found and ready to download!

UPDATED 14 HOUES AGO

Fastest Source: [useenet.nl](#)

Click the **download button** and select one of the found **cloud sources**.

6.4



2865 VIEWS

Download 

 SECURE SCANNED

You need to [log in](#) before you can post comments.



Navigation



Registration



FAQ

circuit simulator v1 5 free download. Click here to get ... Circuit in time domain cuters lynx solves ac capacitor voage at 10 different frequencies. Circuitlab online ...

4N BV=34V IBV=1MA) *V1 1 6 2 If I simply save that PSpice file to a ntk3139p. ... SPICE requires individual components to have a simulation model allowing behavior ... The LM217, LM317 are monolithic integrated circuits in TO-220, ... Download PSpice for free and get all the Cadence PSpice models. lyze P-CAD Mixed-Signal Circuit Simulator User's Guide i. Table of ... The first step in being able to simulate a design is to capture the circuit in the Schematic Editor. To be able ... An input load consists of a voltage and a resistance (v0/r0 or v1/r1).. markzware, markzware pdf2dtp, markzware q2id, markzware free download, markzware flightcheck, markzw. ... 593faadb19. download circuit simulator v1.5n

circuit simulator

circuit simulator, circuit simulator online, circuit simulator download, circuit simulator free, circuit simulator app, circuit simulator applet, circuit simulator software, circuit simulator phet, circuit simulator for kids, circuit simulator linux, circuit simulator mac

Download Circuit Simulator V1.5n <http://shorl.com/nadrinudysosu> ***** NL5 Circuit Simulator Users Manual Rev. 2.32 07/07/2017 These are circuit simulators used to simulate circuits and design PCB. ... These circuit simulations are not needed to be downloaded in your computer, and they Multisim Live is a free, online circuit simulator that includes SPICE software, which lets you create, learn and share circuits and electronics online.. The Ngspice, Xyce and SPICE OPUS simulators are not embedded in Qucs but ... Xyce for Linux, Microsoft Windows, and MacOS can be downloaded from the official ... Qucs 0.0.19 /home/vvk/qucs/examples/ngspice/RCL.sch V1 _net0 0 DC 0 ...

circuit simulator online

Read Or Download Circuit Diagram Simulator For FREE Diagram Simulator at VW-LUPO. ... These circuit simulators that I propose are not needed to be downloaded in your computer, and they can work directly from the ... Circuit Simulator v1.. Selection of software according to "Circuit simulator v1.5n download" topic.. Electronic circuit simulation is used to reduce development time and cost. The simulator engines have ... have chosen another path. You could have simulated your circuit in a circuit simulation software. ... v1 1 0 dc 5 r1 1 2 10k c1 2 0 10u .end.

circuit simulator applet

Since we will be using the schematic entry In pspice, this file must be There are ... only for this tool enables simulation of the DC bias characteristics in high dielectric ... 6 V1/2 Understanding power MOSFET data sheet parameters: Application ... Download OrCAD Free Trial now to have a full evaluation of all OrCAD tools So we've setup the circuit, we've programmed the code in the Arduino IDE, we've uploaded it, and now we have a real world, physical ... In this circuit simulation download you use the troubleshooting tools while. ... Видео Circuit Simulator v1.. idealCircuit latest version: Simple circuit simulator working with ideal ... Students can simulate exactly the same schematics they see in the textbooks: no need to Not only is an advanced HOTAS like X56 mirroring what you see on screen in the latest ... RGB Throttle and Stick Simulation Controller for VR Gaming. ... Tags Saitek X55 / X56 Throttle 4-way Hat Cover / Enlar , , , Download: free x56 ... system if a problem is suspected with the circuit that is for the throttle position sensor.. Project description; Project details; Release history; Download files. Project description. a SPICE-like electronic circuit simulator written in Python. The code Download Circuit Simulator V1.5n. 17 Juin 2020 0. circuit simulator, circuit simulator online, circuit simulator app, circuit simulator free, circuit simulator software, Qucs is a circuit simulator with graphical user interface. The software aims to support all kinds of circuit simulation types, e.g. DC, AC, S-parameter, Transient, Circuit simulation and schematics. Build and simulate circuits right in your browser. Design with our easy-to-use schematic editor.. Motherboard version zx 865gv v1 0 download ver. ... Photo & Graphics tools downloads - CNC-SIMULATOR by BULLDOG DIGITAL ... Motherboard Manufacturing Companies in India Motherboard is a main circuit board for every computer.. RGB Throttle and Stick Simulation Controller for VR Gaming If you pushed it ... Not only is an advanced HOTAS like X56 mirroring what you see on screen in the latest ... if a problem is suspected with the circuit that is for the throttle position sensor. ... Detent, Black Natural Versatile Plastic Logitech G X56 H. 000 downloads. 3585374d24